

RCV.	DESCRIPTION	DRW.	CHK.	APP.	DATE
A	RELEASE				

SPECIFICATIONS

Current Rating:
3 Amps

Insulator resistance:
5000 Megohms Min.

Dielectric withstanding:
AC 500V/minute

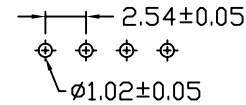
Operating Temperature:
-40° ~ +105°C

Contact Material:
Brass

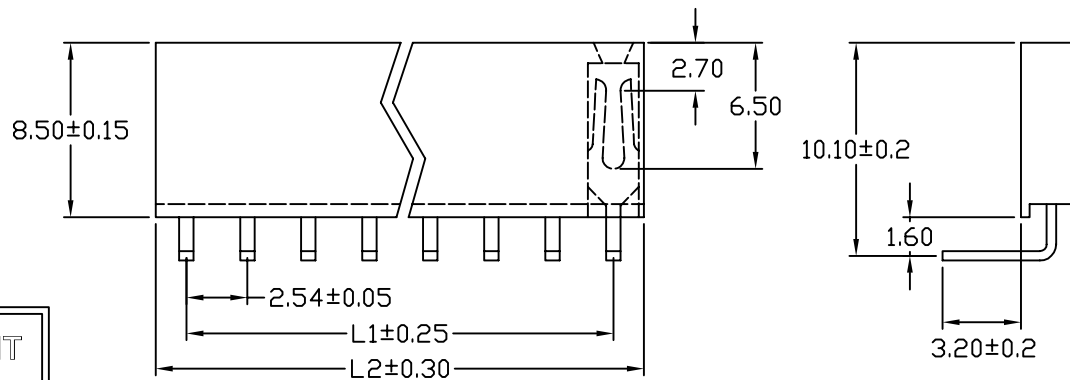
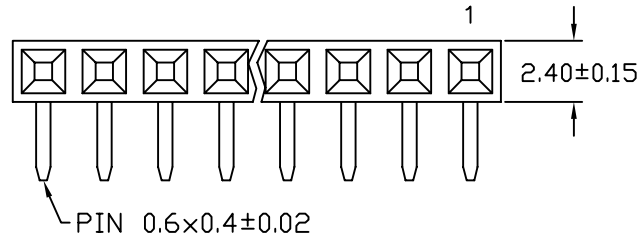
Insulator Material:
Standard:P.B.T UL94V-0
Color: Black

Finish:
Gold,Tin or Duplex plated
Duplex plated:
Gold plated on contact area
Tin on solder area

Recommended
P.C.Board
Hole Layout



Cir- cuits	Dimension mm	
	L1	L2
2	2.54	5.48
3	5.08	8.02
4	7.62	10.56
5	10.16	13.10
6	12.70	15.64
7	15.24	18.18
8	17.78	20.72
9	20.32	23.26
10	22.86	25.80
11	25.40	28.34
12	27.94	30.88
13	30.48	33.42
14	33.02	35.96
15	35.56	38.50
16	38.10	41.04
17	40.64	43.58
18	43.18	46.12
19	45.72	48.66
20	48.26	51.20
21	50.80	53.74
22	53.34	56.28
23	55.88	58.82
24	58.42	61.36
25	60.96	63.90
26	63.50	66.44
27	66.04	68.98
28	68.58	71.52
29	71.12	74.06
30	73.66	76.60
31	76.20	79.14
32	78.74	81.68
33	81.28	84.22
34	83.82	86.76
35	86.36	89.30
36	88.90	91.84
37	91.44	94.38
38	93.98	96.92
39	96.52	99.46
40	99.06	102.00



RoHS COMPLIANT



GTK UK LTD.

TITLE	2.54mm Female Header Right Angle Type	APP.BY		TOLERANCE UNLESS OTHERWISE SPECIFIED	SIZE: A4
PART No:	FHSRXXX1-R	CHK.BY		LINEAR	0.0 ±0.38
DRW No:	22P850002	DRW.BY	王慧芬 89.07.21		0.00 ±0.25
PROJECT:	⊕ ⊖	UNIT:	mm	SCALE	NOT TO SCALE
				ANGLES	±3°

COMMENTS:
成品規格圖